

## 90 cm induction top electric double oven Heritage Series



### HER95I2ENET

The magnificent Heritage Series suits the traditional kitchen of today, cleverly combining the classic appeal of time-honoured style with all the technology and advanced engineering of the Bertazzoni cookers.

The double-oven range cooker give great versatility and style to your kitchen. The main oven electric oven has 11 functions, from convection, baking and grilling to warming and features a thermometer. The useful auxiliary oven has six modes. Triple-glass doors minimise heat loss.

The hob has an induction top with five heating zones, including booster feature, pot detection, residual heat indicator for each zone and two flex zones.

Colours shown will vary depending on your screen settings and resolution.

Contact your dealer for further advice.

[Guarda online](#)

# Specifications

## Features

### Worktop

Size	90 cm
Cooking zones	5
Number of induction zones	5, included 2 flex zones
Worktop type	induction
Worktop controls	knobs
Knobs	solid metal
Upstand	yes

### Cooking zones

Induction front left	(210 x 200 mm) 1600 W - 1850 W
Induction back left	(210 x 200 mm) 2100 W - 3000 W
Induction center	( $\varnothing$ 265 mm) 2300 W - 3000 W
Induction front right	(210 x 200 mm) 1600 W - 1850 W
Induction back right	(210 x 200 mm) 2100 W - 3000 W

### Oven cavity

Oven configuration	double
Oven fuel	electric
Main oven type	electric multifunction
Main oven grill type	electric
Main oven functions	bake / bottom bake / convection / convection bake / convection grill / defrosting / fast preheat / grill / oven light / pizza / upper bake
Main oven volume	69 l
Main oven convection system	single with heating element
Main oven energy rating	A
Auxiliary oven type	electric conventional
Auxiliary oven grill type	electric
Auxiliary oven functions	bake / bottom bake / grill / oven light / turnspit / upper bake
Auxiliary oven volume	38 l

Auxiliary oven energy rating	A+
Oven controls	knobs / thermometer
Inner oven door	triple
Removable inner glass	yes
Tray handle	yes
Oven levels	4
Timer	thermometer
Oven door closing	anti-slam system
Sliding shelves	1 standard
Wire-shelves	3 chromed
Tray	1 enamelled
Oven lights	single

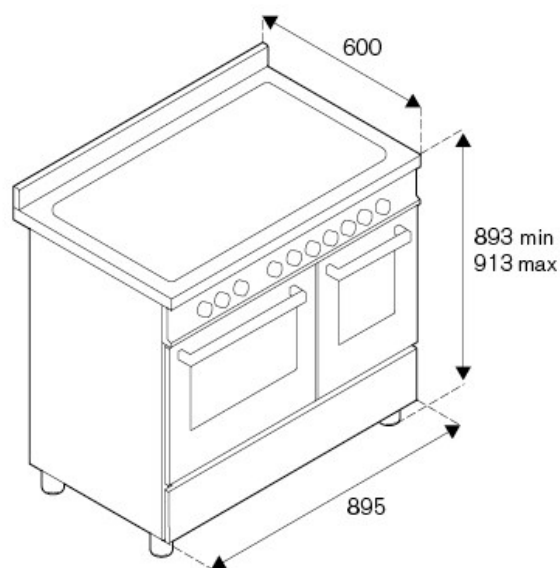
#### Bottom

Storage compartment	drawer
Legs	stainless steel

#### Technical specifications

Voltage and frequency	220/240 V - 50/60 Hz - 40 A
Absorbed power (W)	11500 W

## Dimensions



---